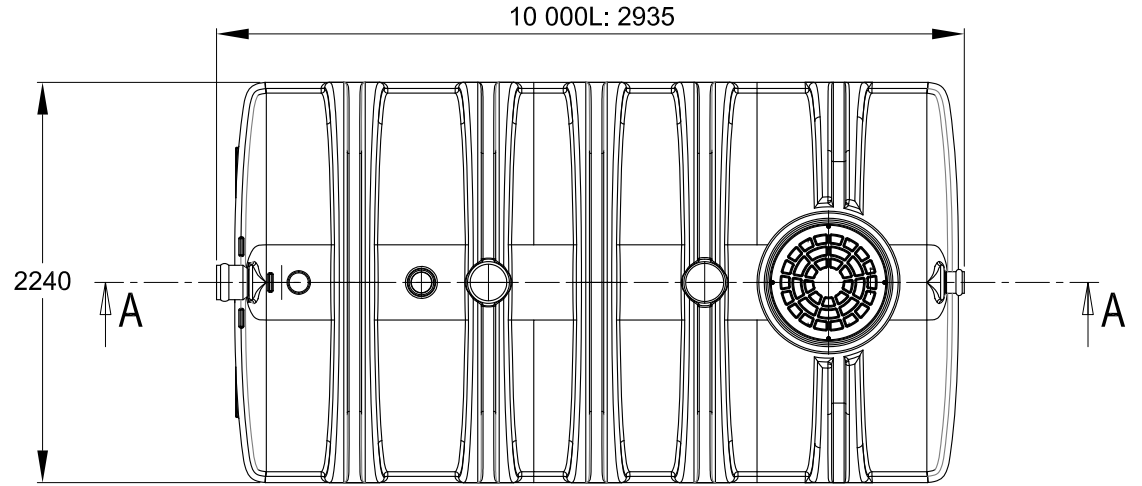


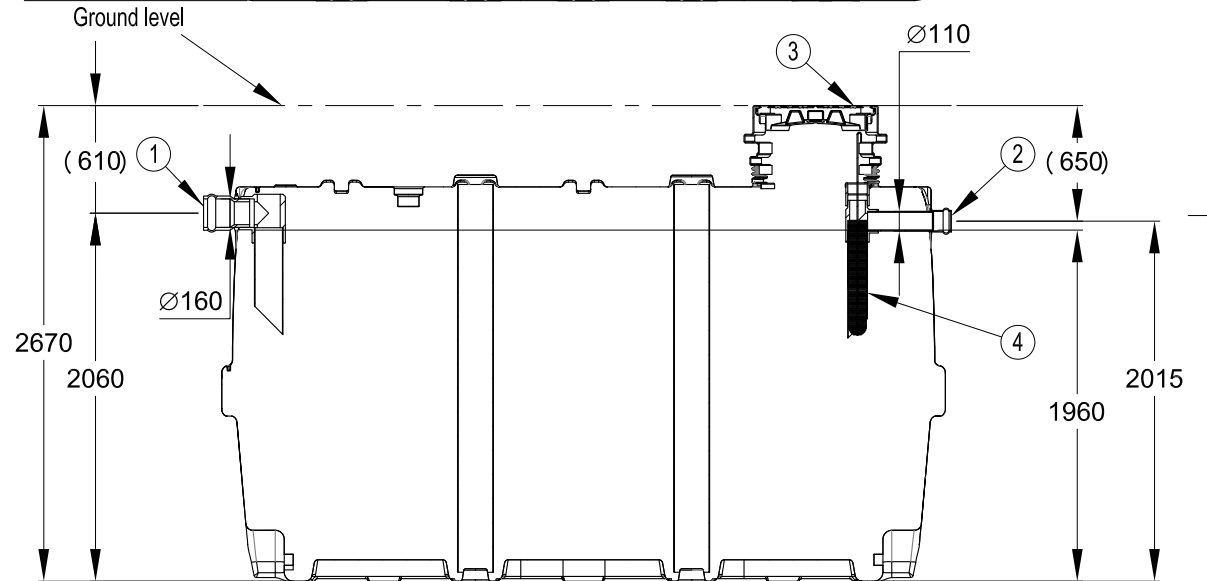
BIOROCK Primary tank

ST-10000



1	Influent inlet; air outlet
2	Water outlet; air inlet
3	Removable lid for filter access
4	Filter

Design Parameters	Value	Unit
ST-10000	10 000L	Liters
PE Capacity	20	PE
Volume per PE	500	liters/PE
Need volume	10 000	Liters
Total volume	10 000	Liters
Specification	Value	Unit
Tank capacity	10 000	Liters
Overall length	2935	mm
Overall width	2240	mm
Overall height	2670	mm
Total weight (without water)	520	kg
Inlet pipeworks diameter	160	mm
Outlet pipeworks diameter	110	mm



Cross A-A

		DATE	23/02/2011	ST-10000
				A3