

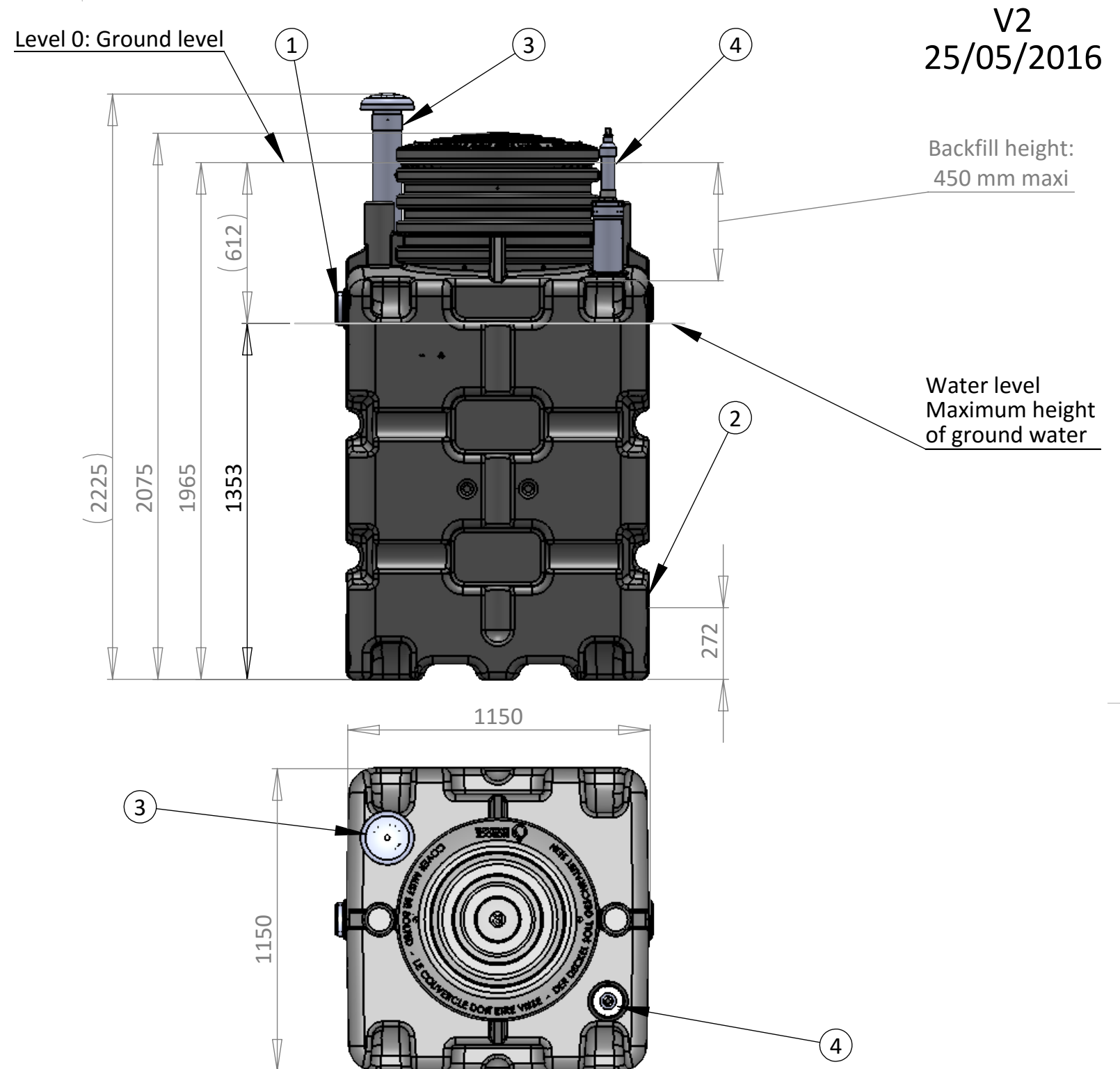
Treatment Unit Tank Volume 1500 L

1	Water inlet
2	Water outlet
3	Air inlet
4	Overflow Alarm

Characteristics	Value	Unit
Treatment Unit		
Minimum volume of pre-treatment*		liters/PE
Capacity in population equivalent		PE
Daily volume of wastewater **		liters/day/PE
Daily hydraulic load		m ³ /day
Organic load per PE		gr.BOD ₅ /PE/day
Organic load raw effluent up to		kg BOD ₅ /day
Specification	Value	Unit
Tank Volume	1500	Liters
Overall length	1150	mm
Overall width	1150	mm
Total height of the tank	2075	mm
Overall height (+ventilation pipe)	2225	mm
Total weight (without water)	197	Kg
Pipe diameter	110	mm

This treatment unit can be installed in high ground water table.

*minimum 2000 litres of pre-treatment
**according to DIN EN 12566-3



V2
25/05/2016

Service :				
ORIGINATOR				
	NAME	SIGNATURE	DATE	TITLE:
AUTHOR	AQ		29/04/2016	
CHANGES				TITLE:
	NAME	SIGNATURE	DATE	
AUTHOR	AQ		25/05/2016	
CHANGES				Nb. of PLAN
AUTHOR				UT-X1500
AUTHOR				A3
SCALE:1:20				

Overall tolerance: 3%